

R2020x What's New

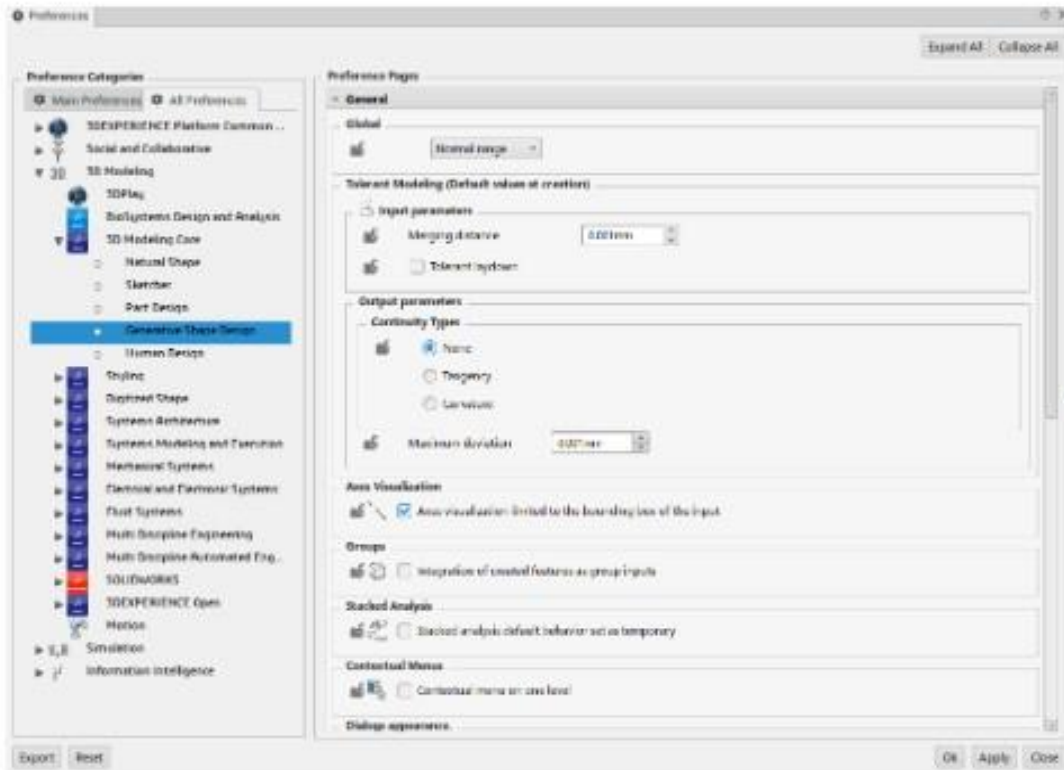
Core Modeling Highlights for Mechanical Engineering Roles



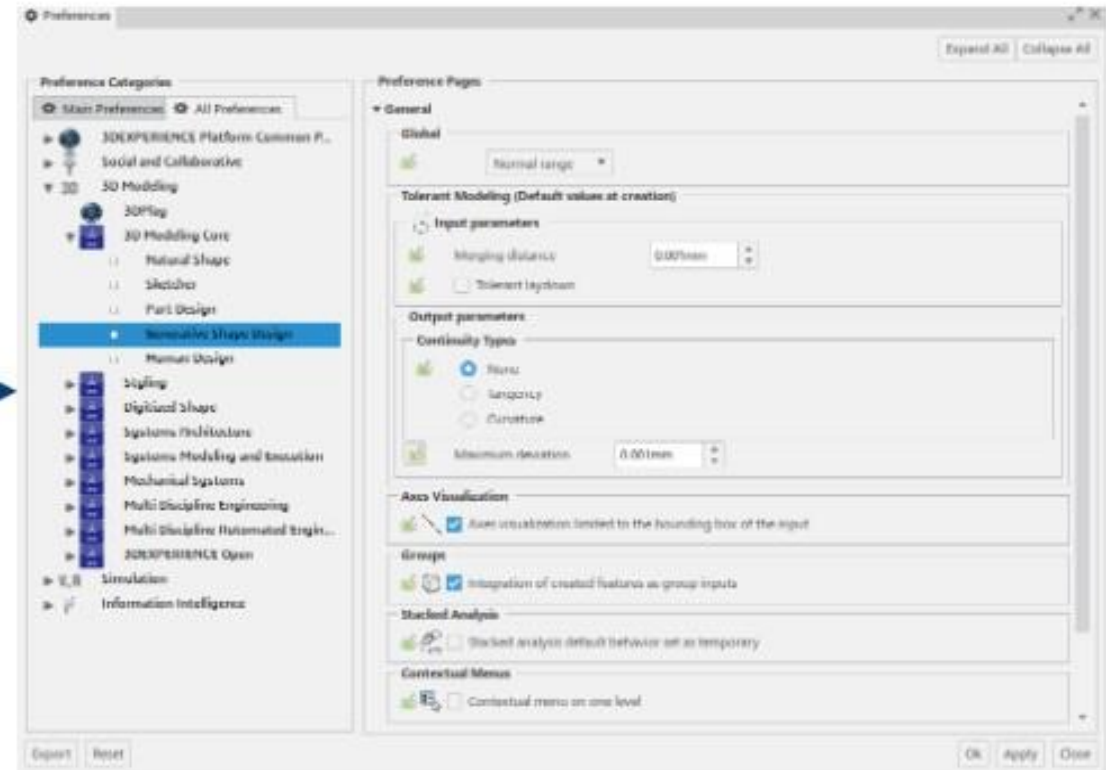
3DEXPERIENCE®

- New User Interface. Flat Design.

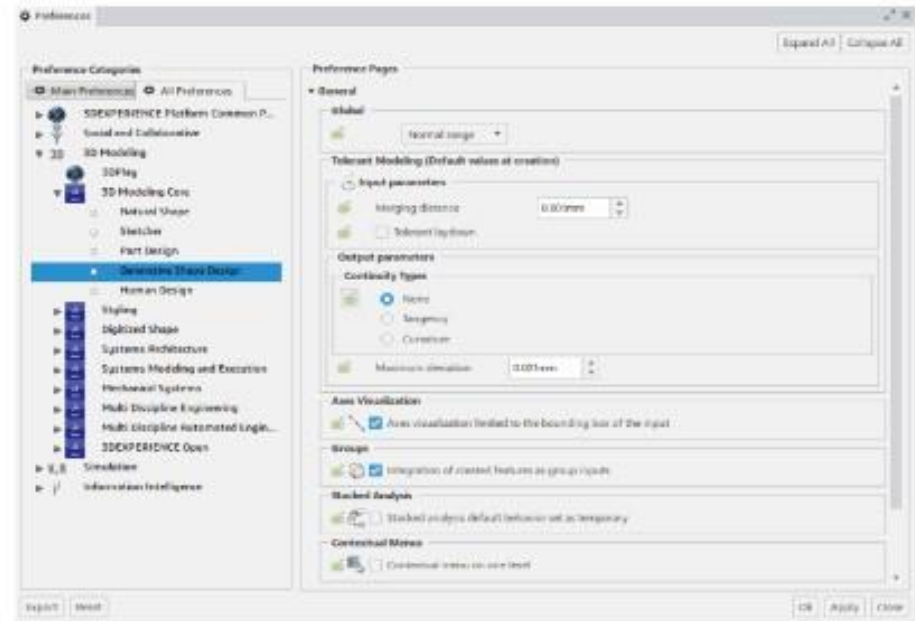
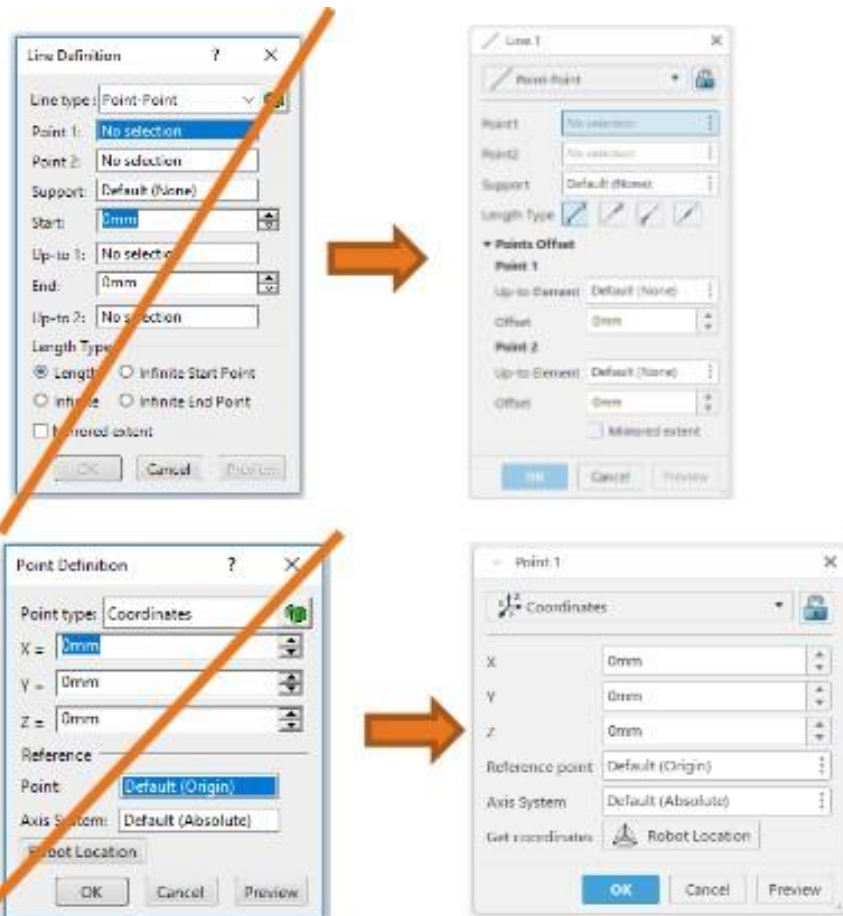
R2019X



R2020X



- New Panel Design

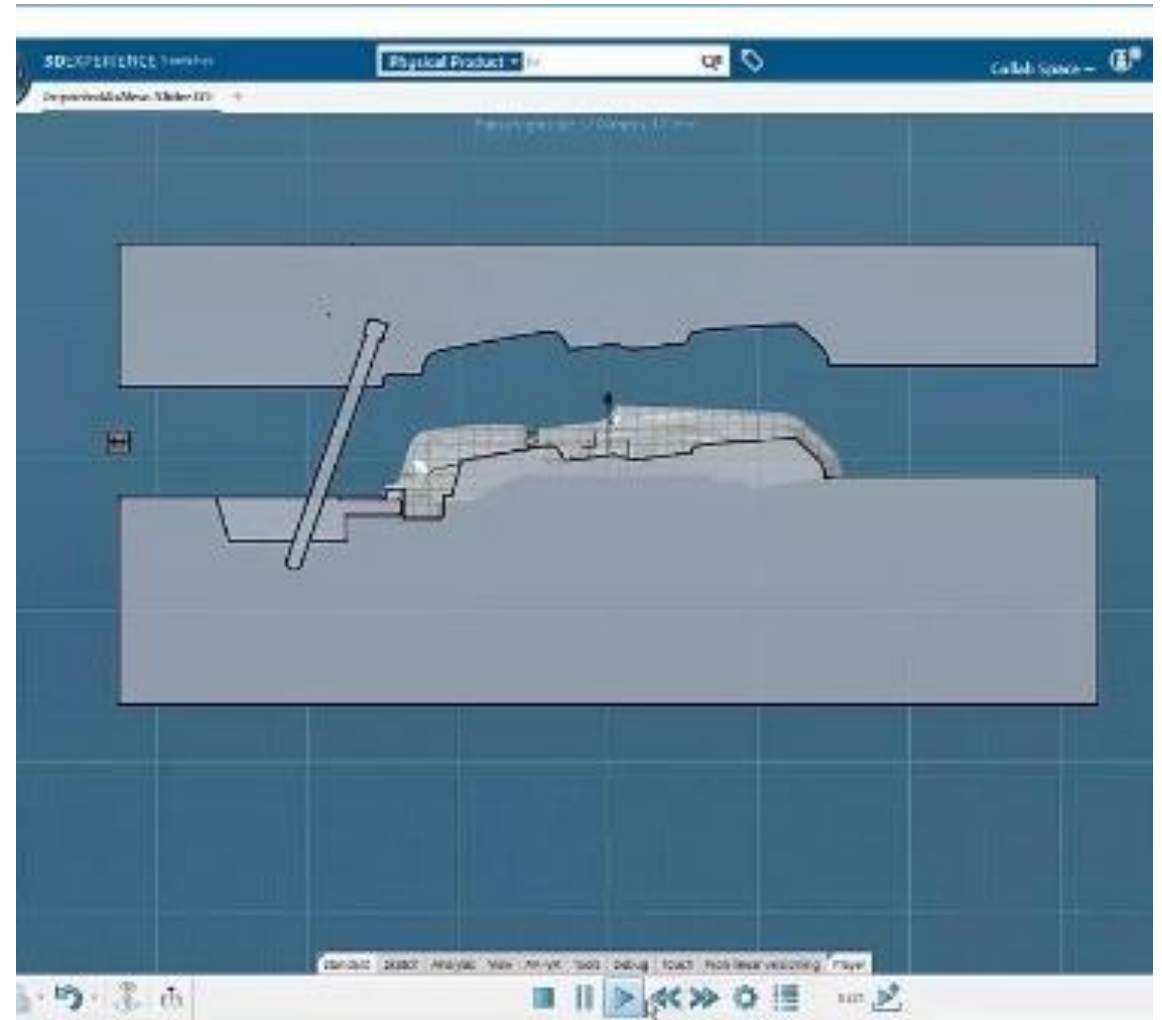


Can be deactivated in Me/Preferences

- Contact Management Motion

Contact detection during kinematic modification in Sketcher motion is available.

Select pairs of groups for which contact will be computed allows to replay mechanisms that will take contacts into account.



- Solve Status in Specs Tree

Better feedback on the sketch tree icon, as you can now easily identify if you sketch is correctly constrained.



Under constrained sketch

Iso constrained sketch

Over constrained sketch

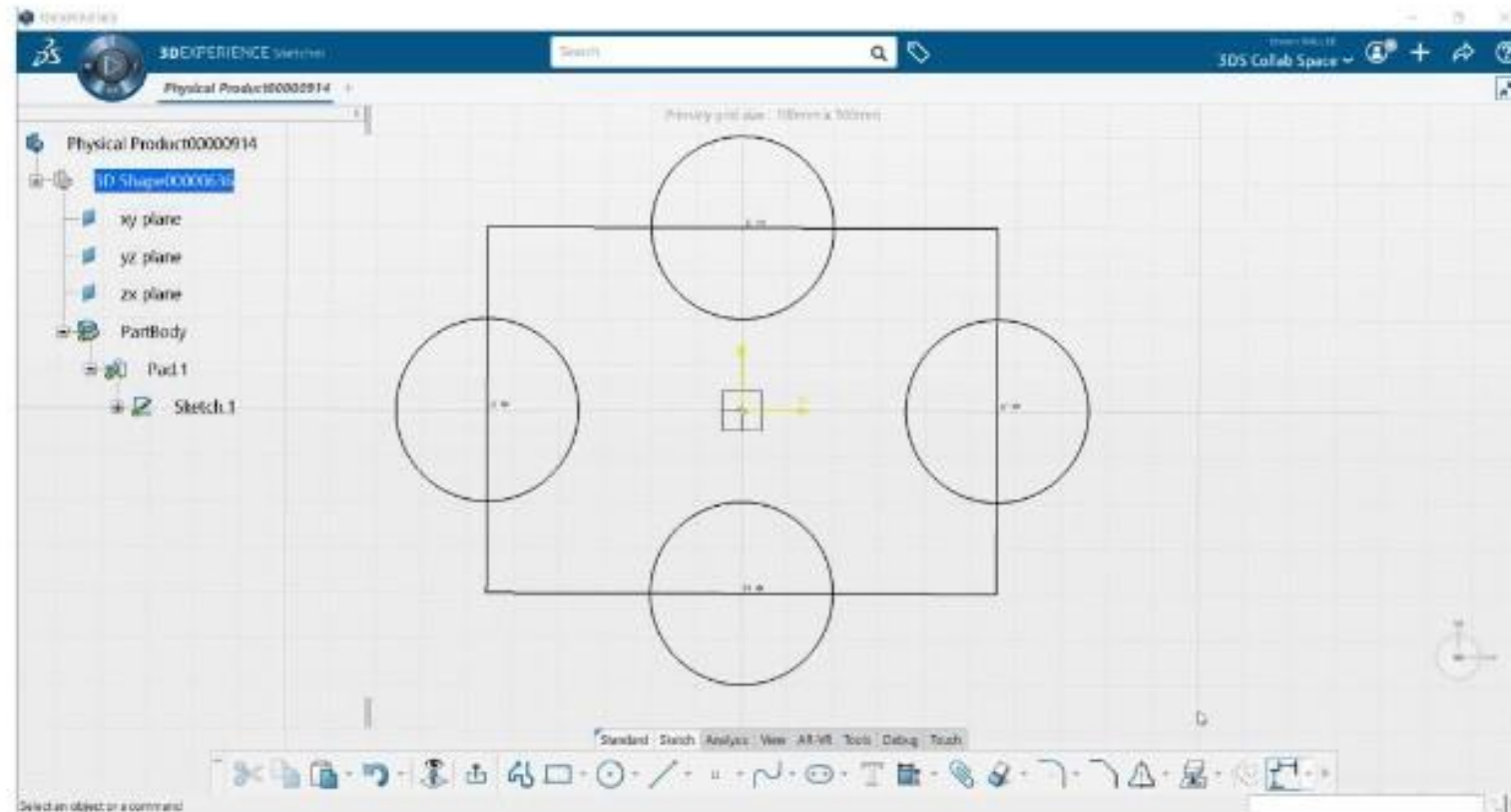
- Cancel and Exit Command

When entering an existing sketch, and you want to revert back on the modification you did, a new command is available to do so.



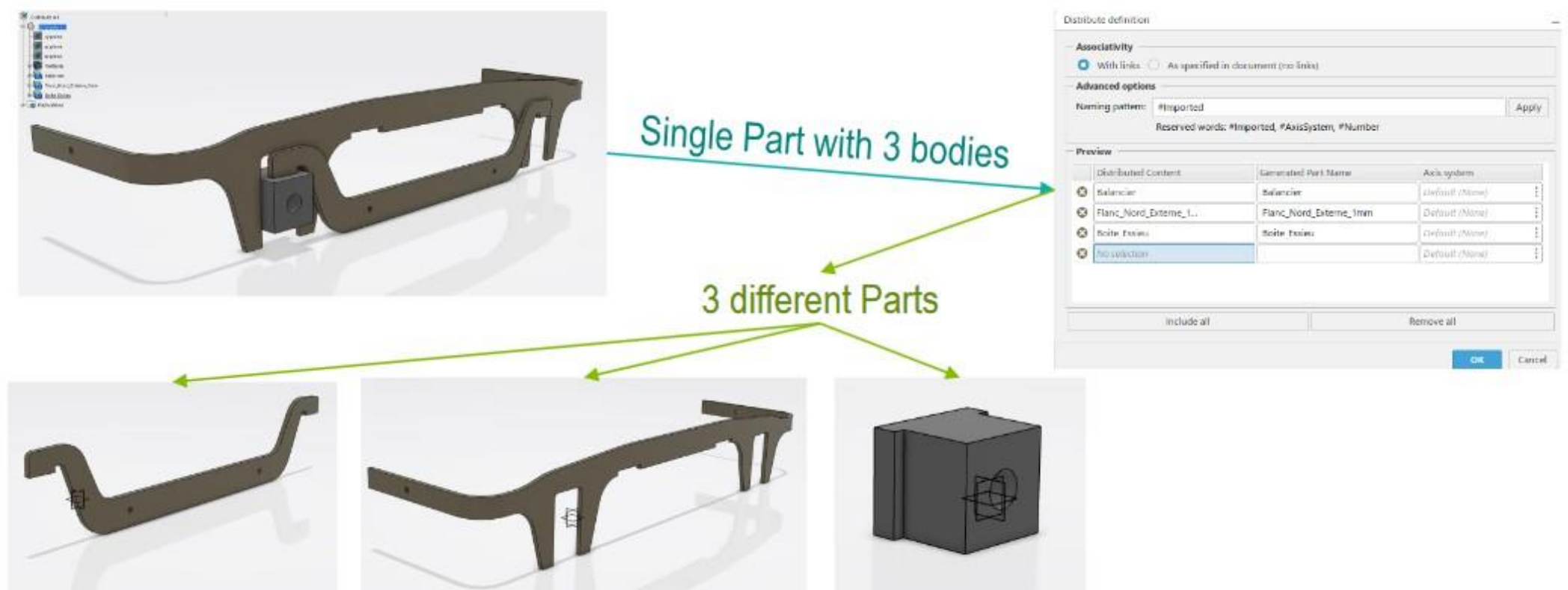
- Freehand quick trim

Draw a curve with the mouse to select the elements to trim.



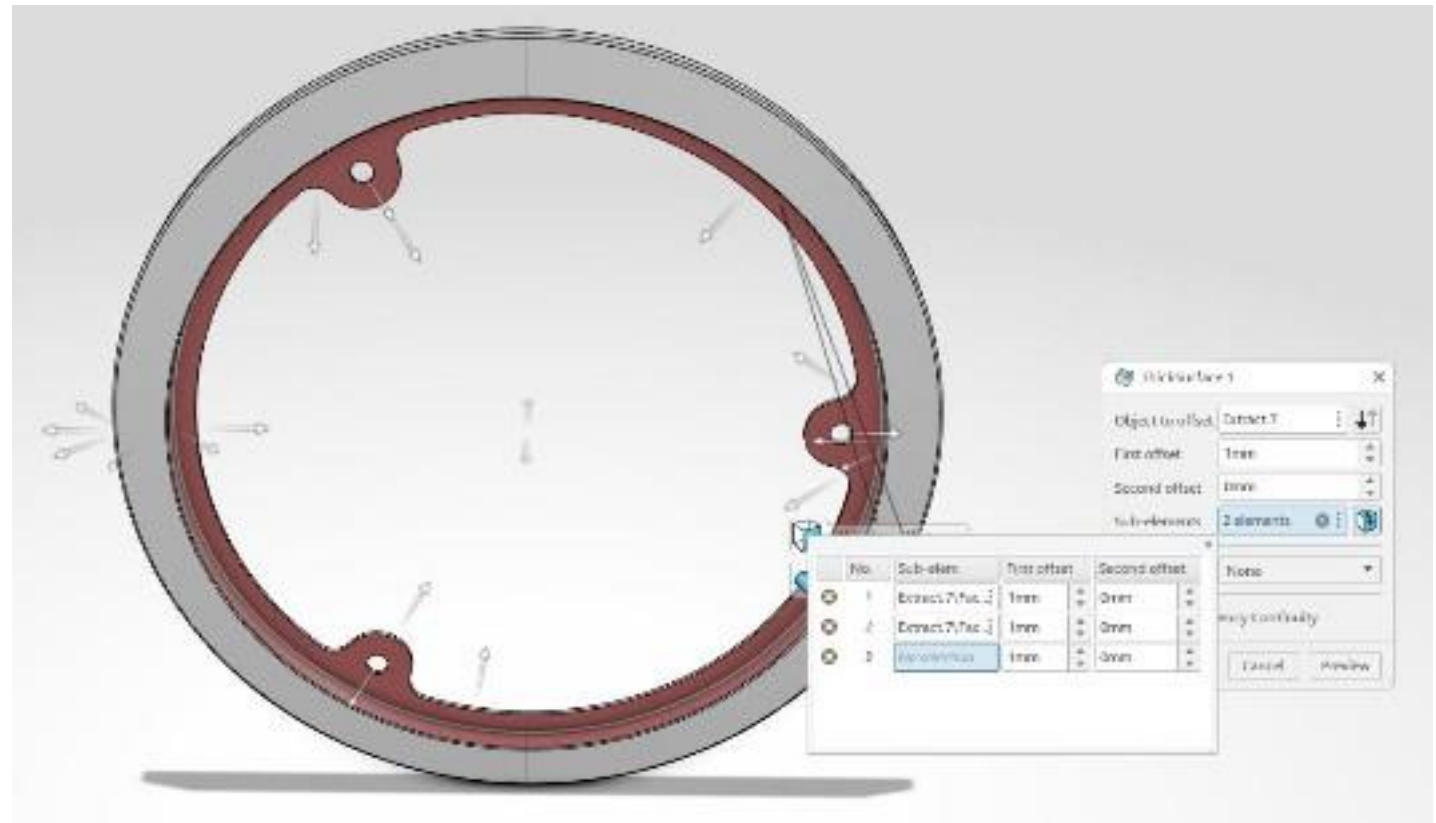
- Distribute Functionality

Concept Part geometries are distributed into several sub-part, each sub-part original axis can be defined by the user.



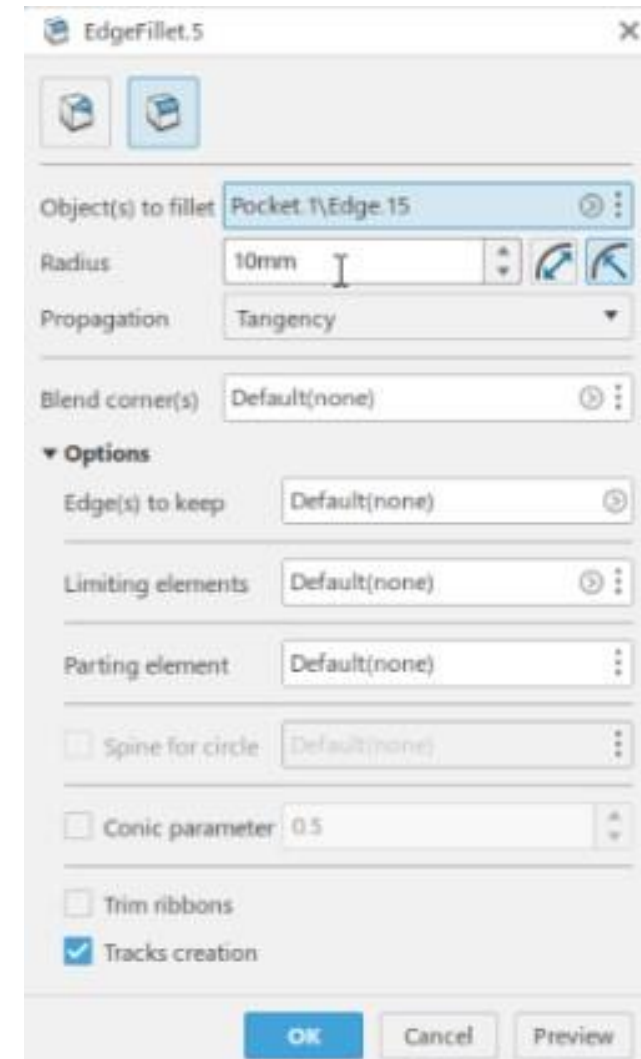
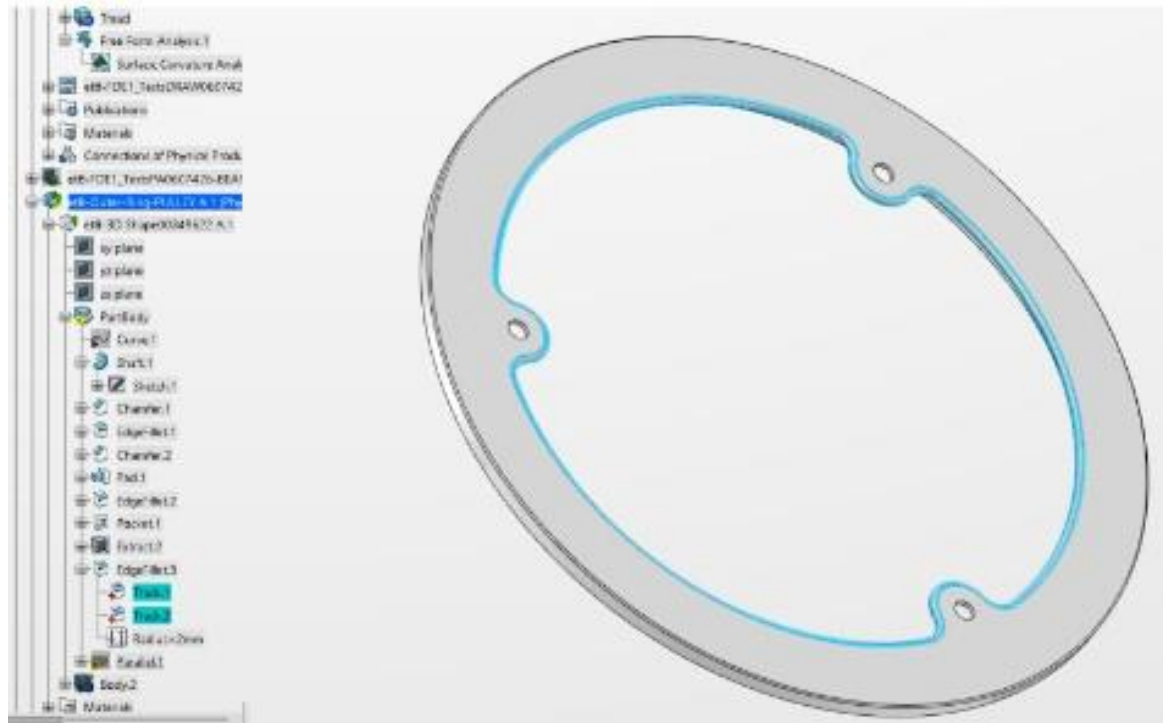
- Thickness Management

We can now select multiple sub-faces within the Thick Surface definition, as well as new tangency propagation options.



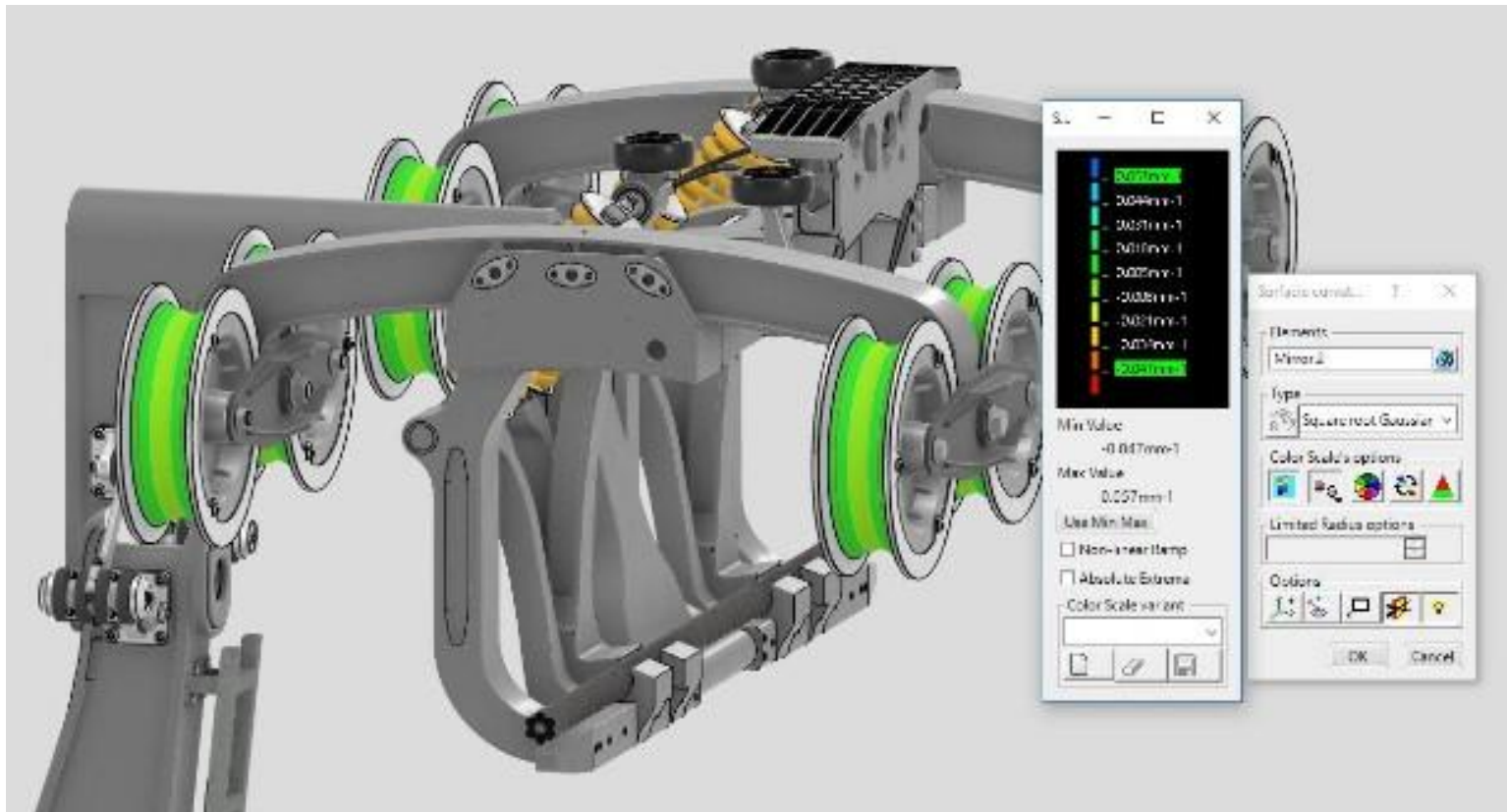
- Tracks inside

Option to create the edge “tracks” when creating an Edge Fillet



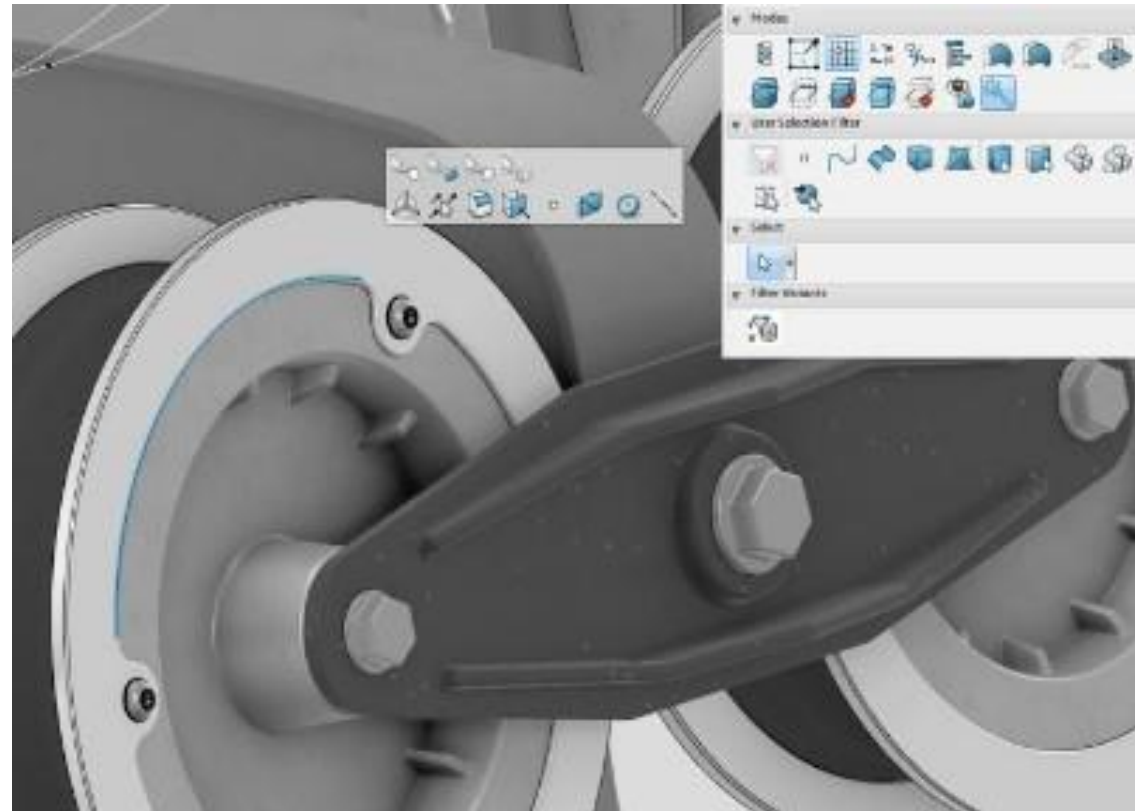
- Surface Curvature Analysis on solids

Provide the ability to use the Curvature analysis tools on solids.



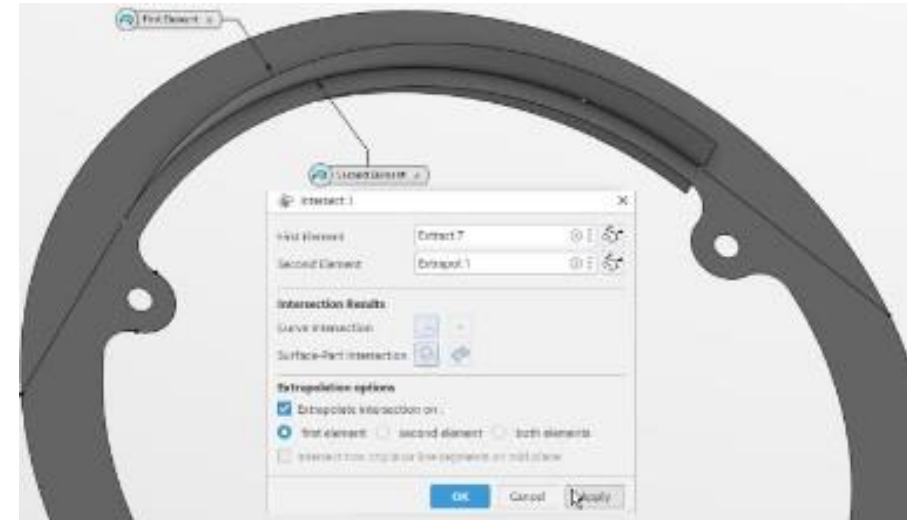
- New advance Selection mode in context bar

Advanced selection modes in App Options: several type of propagation in the context bar.



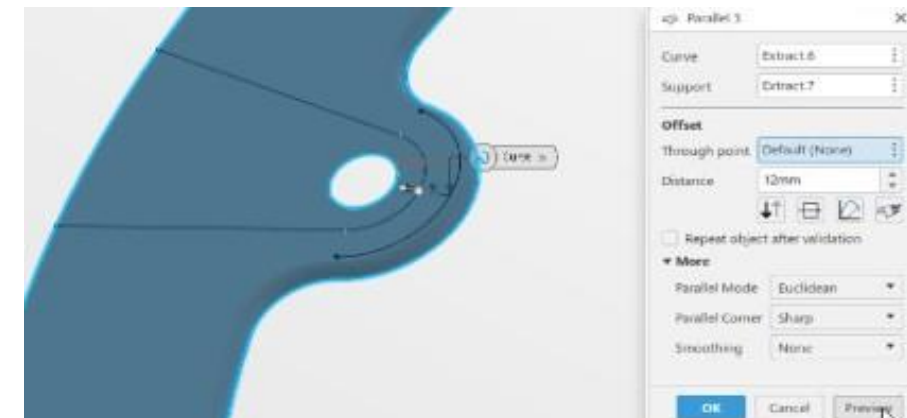
- Extrapolation option in Intersect feature

New option to extrapolate any intersection at 'Intersection feature creation/edition'.



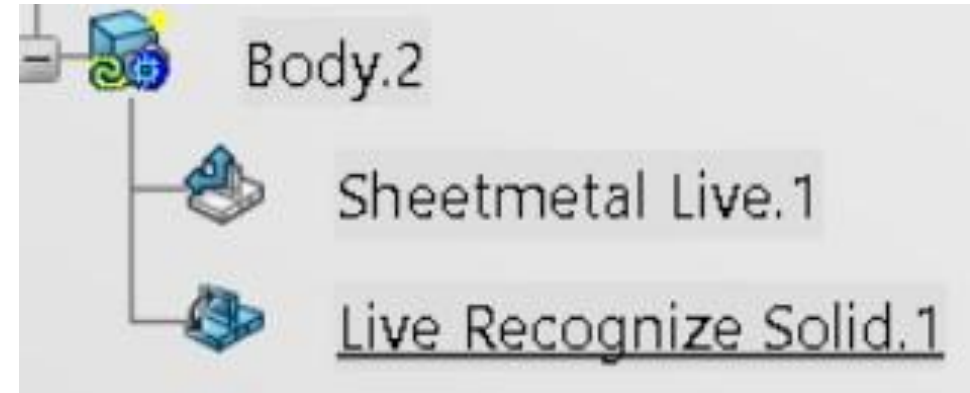
- Parallel Curve Feature with extrapolate on support option

New option to extrapolate any curve at Parallel feature creation / edition.



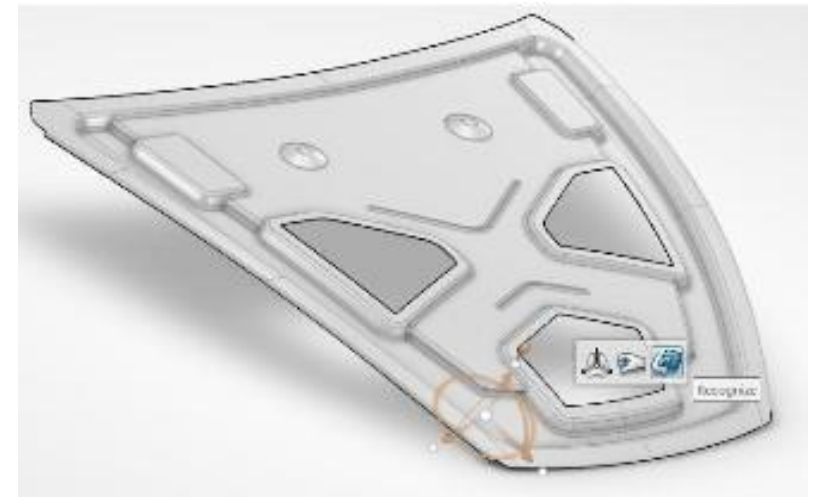
- Live Recognize (Bent Part Design to Sheet Metal Design)

In **3DEXPERIENCE R2019x**, Dassault introduced 'Live Recognize in Sheet Metal Design' that would convert Bent Part design geometry into a Sheet Metal Design geometry



- Recognize (Sheet Metal Design to Bent Part Design)

In **3DEXPERIENCE R2020x**, Dassault introduces 'Recognize in Bent Part Design' that would convert Sheet Metal Design geometry into a Bent Part Design geometry



As one of the UK's leading [Dassault software resellers](#), training and consultancy companies we're helping engineers improve efficiency, find that hidden piece of functionality, transform their costs and leverage software better.

Our experienced trainers and consulting team has spent years perfecting their own engineering skills before choosing to specialize in how other engineers can apply Dassault Systemes CATIA, 3DEXPERIENCE, DELMIA and ENOVIA software and solutions to accelerate time to market, master design reuse, improve manufacturing productivity and even right down to production process improvement.

Get in touch to see how we can help you solve your industry challenges. www.dte.co.uk